



PARTS LIST

PART NO.	PART DESCRIPTION	AIRCRAFT OR ENGINE	CONDITION
16J58-1HP	Spherical Seal Assy (Carbon)	Boeing 757	NEW
16J61-1HP	Spherical Seal Assy (Carbon)	Boeing 757	NEW
207218HP	Thrust Washer	HS125 / 1124 & 1124A Westwind	NEW
207460HP	Bearing	HS125	NEW
226433HP	Bearing	F20	NEW
226538HP	Bearing	F20	NEW
232-20250-13	Wave Washer	Learjet	NEW
232-20260-1HP	Bearing	Learjet	NEW
232-20268-503HP	Shoulder Bolt	Learjet	NEW
232-20426-1HP	Bushing	Learjet	NEW
2411660-13HP	Cable Assembly	Learjet	NEW
2411660-15HP	Cable Assembly	Learjet	NEW
2411660-18HP	Cable Assembly	Learjet	NEW
2411660-34HP	Cable Assembly	Learjet	NEW
3101373-1HP	Lock Plate	Honeywell TPE331	NEW
3101703-10HP	Bushing	Honeywell TPE331	NEW
3101703-11 HP	Bushing	Honeywell TPE331	NEW
3101703-12HP	Bushing	Honeywell TPE331	NEW
3101703-13HP	Bushing	Honeywell TPE331	NEW
3101703-14HP	Bushing	Honeywell TPE331	NEW
3101703-15HP	Bushing	Honeywell TPE331	NEW
3101703-16HP	Bushing	Honeywell TPE331	NEW



PARTS LIST

PART NO.	PART DESCRIPTION	AIRCRAFT OR ENGINE	CONDITION
3101703-17HP	Bushing	Honeywell TPE331	NEW
3101703-18HP	Bushing	Honeywell TPE331	NEW
3101703-19HP	Bushing	Honeywell TPE331	NEW
3101703-1HP	Bushing	Honeywell TPE331	NEW
3101703-20HP	Bushing	Honeywell TPE331	NEW
3101703-24HP	Bushing	Honeywell TPE331	NEW
3101703-25HP	Bushing	Honeywell TPE331	NEW
3101703-26HP	Bushing	Honeywell TPE331	NEW
3101703-27HP	Bushing	Honeywell TPE331	NEW
3101703-28HP	Bushing	Honeywell TPE331	NEW
3101703-29HP	Bushing	Honeywell TPE331	NEW
3101703-2HP	Bushing	Honeywell TPE331	NEW
3101703-3HP	Bushing	Honeywell TPE331	NEW
3101703-4HP	Bushing	Honeywell TPE331	NEW
3101703-5HP	Bushing	Honeywell TPE331	NEW
3101703-6HP	Bushing	Honeywell TPE331	NEW
3101703-7HP	Bushing	Honeywell TPE331	NEW
3101703-8HP	Bushing	Honeywell TPE331	NEW
3101703-9HP	Bushing	Honeywell TPE331	NEW
3101759-1HP	Bushing	Honeywell TPE331	NEW
3101759-2HP	Bushing	Honeywell TPE331	NEW
3101759-3HP	Bushing	Honeywell TPE331	NEW



PARTS LIST

PART NO.	PART DESCRIPTION	AIRCRAFT OR ENGINE	CONDITION
3101759-4HP	Bushing	Honeywell TPE331	NEW
3101759-5HP	Bushing	Honeywell TPE331	NEW
3101759-6HP	Bushing	Honeywell TPE331	NEW
3101759-7HP	Bushing	Honeywell TPE331	NEW
314U2100-15HP	Seal Assembly	Boeing 747 & 767	NEW
314U2100-18HP	Retainer	Boeing 747 & 767	NEW
314U2100-19HP	Forward Seal	Boeing 747 & 767	NEW
314U2100-20HP	Aft Seal	Boeing 747 & 767	NEW
3233190-2HP	Vespel Bearing	Learjet, HS125, F20, Sabre 80	NEW
3515-28-04	Washer	Learjet	NEW
232-20260-1HP	Bearing	Learjet	NEW
45-0008-07HP	Plug & Switch Assy	Learjet	NEW
45-12216-1HP	Bearing	Learjet, HS125	NEW
45-12256-3HP	Bumper Plate	Learjet	NEW
45-12356-1HP	Sping	Learjet	NEW
45-12449-3HP	Actutor Assy	Learjet	NEW
45-12368-TR	DPI Pivot Arm Kit	Learjet	NEW
45-12368-9HP	Pivot Arm	Learjet	NEW
4950008-71HP	Channel	Learjet	NEW
5006492HP	Key Washer	P & W	NEW
45-12370-1HP	Switch Plate Assy	Learjet	NEW
45-12370-10HPTR	DPI Switch/ Pivot Arm Switch Plate Assv	Learjet	NEW



PARTS LIST

PART NO.	PART DESCRIPTION	AIRCRAFT OR ENGINE	CONDITION
5415530-5HP	Cable Assembly	Learjet	NEW
5415542-16HP	Cable Assembly	Learjet	NEW
5415542-23HP	Cable Assembly	Learjet	NEW
5415542-26HP	Cable Assembly	Learjet	NEW
6015550-002HP	Cable Assembly	Learjet	NEW
6015550-003HP	Cable Assembly	Boeing 737	NEW
65C30824-1HP	Cable Drum Assembly	Boeing 737	NEW
65C30824-2HP	Cable Drum Assembly	Learjet	NEW
77E76-1HP	Carbon Ring, Guide	Boeing 757	NEW
78E15-1HP	Carbon Ring	Boeing 757	NEW
78E16-1HP	Ring Assy, Piston	Boeing 757	NEW
865057-7HP	Retainer	Honeywell TPE331	NEW
865542-5HP	Bearing Sleeve	Honeywell TPE331	NEW
867595-3HP	Gasket	Honeywell TPE331	NEW
867681-5HP	Seal Disk	Honeywell TPE331	NEW
867905-1HP	Valve Seat	Honeywell TPE331	NEW
868746-6HP	Gasket	Honeywell TPE331	NEW
869615-1HP	Bearing Sleeve	Honeywell TPE331	NEW
869615-2HP	Bearing Sleeve	Honeywell TPE331	NEW
869616-1HP	Bearing Sleeve	Honeywell TPE331	NEW
869616-2HP	Bearing Sleeve	Honeywell TPE331	NEW
893579-1HP	Bushing	Honeywell TPE331	NEW

PARTS LIST

PART NO.	PART DESCRIPTION	AIRCRAFT OR ENGINE	CONDITION
D6-1HP	Washer	Learjet	NEW
D6-4HP	Washer	Learjet	NEW
HP100TR	Kit-Two Engine	F20, Sabre 80	NEW
HP200TR	Kit-Two Engine (1400 HR)	Learjet, HS125	NEW
HP201TR	Kit-One Engine (1400 HR)	Learjet, HS125	NEW

HP200TR	TR INSP KIT 2 Engines	QTY in Kit
AN960C10L	WASHER	24
AN960-416	WASHER	4
D6-1	WASHER	120
D6-4	WASHER	8
MS21043-3	NUT	28
MS21043-4	NUT	8
MS24665-151	COTTER PIN	12
MS24665-153	COTTER PIN	10
MS24665-302	COTTER PIN	4
MS9364-10	NUT	8
MS9464-09	PIN	8
NAS1291C4M	NUT	20
NAS1351C3-8	SCREW	20
NAS620C416L	WASHER	8
NAS620-416L	WASHER	32
232-20268-503HP	SHOULDER BOLT	8
232-20426-1HP	BUSHING	8
3515-28-04	WASHER	8
45-12216-1HP	BEARING	8



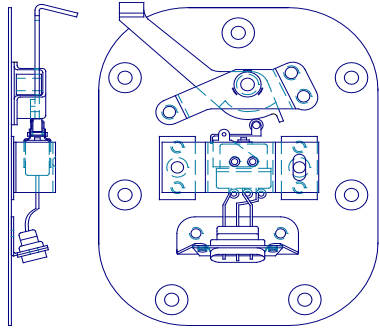
PARTS LIST

PART NO.	PART DESCRIPTION	AIRCRAFT OR ENGINE	CONDITION
----------	------------------	--------------------	-----------

HP201TR	TR INSP KIT 1 Engine	QTY in Kit
AN960C10L	WASHER	12
AN960-416	WASHER	2
D6-1	WASHER	60
D6-4	WASHER	4
MS21043-3	NUT	14
MS21043-4	NUT	4
MS24665-151	COTTER PIN	6
MS24665-153	COTTER PIN	5
MS24665-302	COTTER PIN	2
MS9364-10	NUT	4
MS9464-09	PIN	4
NAS1291C4M	NUT	10
NAS1351C3-8	SCREW	10
NAS620C416L	WASHER	4
NAS620-416L	WASHER	16
232-20268-503HP	SHOULDER BOLT	4
232-20426-1HP	BUSHING	4
3515-28-04	WASHER	4
45-12216-1HP	BEARING	4

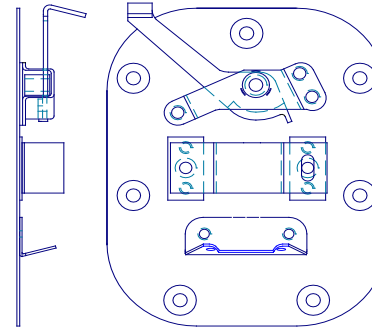


PART NO.	PART DESCRIPTION	AIRCRAFT OR ENGINE	CONDITION
----------	------------------	--------------------	-----------



DPI Switch & Plate Kit 45-12370-10TR

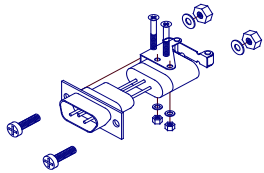
QTY	PART NUMBER	DESCRIPTION
1	45-0008-KIT	DPI SWITCH & ACTUATOR KIT
1	45-12368-KIT	DPI PIVOT ARM KIT
1	45-12370-1HP	MOUNTING PLATE ASSY.
2	MS24694-C3	SCREW
2	MS35333-72	WASHER
2	MS21043-08	NUT



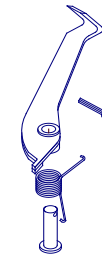
Switch Plate 45-12370-1HP

QTY	PART NUMBER	DESCRIPTION
1	45-12368-KIT	DPI PIVOT ARM KIT
1	45-12370-1HP	MOUNTING PLATE ASSY.
2	MS24694-C3	SCREW
2	MS35333-72	WASHER
2	MS21043-08	NUT

DPI Switch & Actuator Kit 45-0008-KIT



QTY	PART NUMBER	DESCRIPTION
2	MS21043-08	NUT
2	MS35333-72	WASHER
2	MS35206-213	SCREW
2	NAS662C2R9	SCREW
2	MS21042-02-08	NUT
2	NAS620-4	WASHER
1	45-12449-3HP	ACTUATOR
1	45-0008-7HP	PLUG/SWITCH ASSY



DPI Pivot Arm Kit 45-12368-TR

QTY	PART NUMBER	DESCRIPTION
1	45-12356-1HP	SPRING
1	45-12370-109	PIN
1	45-12368-9HP	PIVOT ARM
1	MS24665-132	COTTER PIN